



Master Pumps & Dispensers

Designed to perform in harsh environments, such as trucking, marine and aviation industries, the Compac Master Pumps and Dispensers can be customised to the specific requirements of a site.

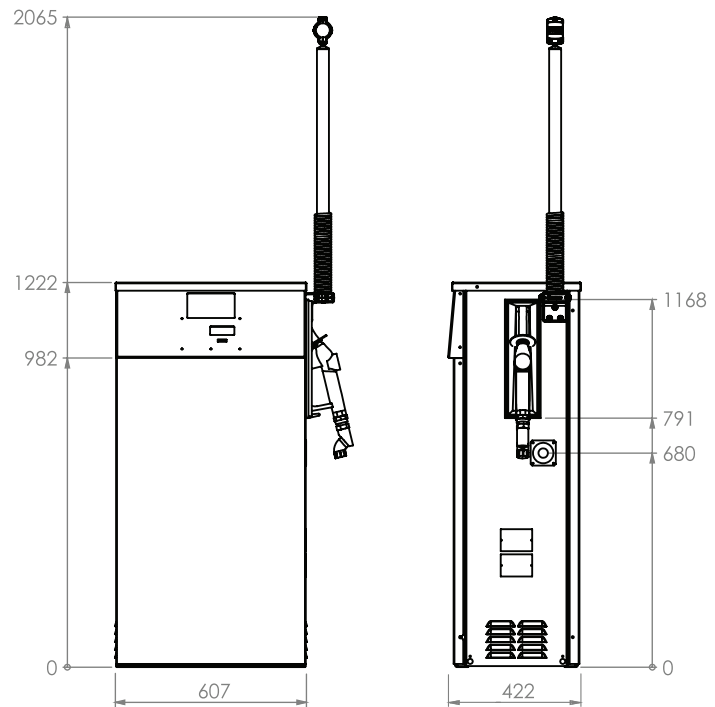
SPECIFICATIONS

Key Features

- Suited to both Retail and Commercial applications
- Hose and flow rate options
- Marine & Aviation options
- Stainless Steel construction option
- Preset options

Approvals

Compac Dispensers have received certification and approvals in many different countries. Copies of these are available on our website.



Model & Flow Rate	Pump	Dispenser	Product *	Hose	Hi/Lo Switch	Preset	Pylon or Himast	
MR40	✓	✓	1 (Motorspirit)	1	✗	✓	✓	
MR80	✓	✓	1 (Diesel)	1	✗	✓	✓	
MR160	✓	✓	1 (Diesel)	1	✓	✓	✓	
MR400	✗	✓	1 (Diesel)	1	✗	✓	✗	
MMR40	✓	✓	2 (Motorspirit, Diesel)	2	✗	✓	✓	
MMR80	✓	✓	1 (Diesel)	2	✗	✓	✓	
MMR160	✗	✓	1 (Diesel)	2	✓	✓	✓	
MMR40/40	✓	✓	2 (Motorspirit, Diesel)	2	✗	✓	✓	
MMR40/80	✓	✓	2 (Motorspirit, Diesel)	2	✗	✓	✓	
MMR80/160	✗	✓	1 (Diesel)	2	✓	✓	✓	
MMR80/400	✗	✓	1 (Diesel)	2	✗	✓	✓	
MMR160/400	✗	✓	1 (Diesel)	2	✓	✓	✓	
MA30S	✗	✓	See AdBlue Brochure					
MA30/160S	✗	✓	See AdBlue Brochure					

* Avgas and Jet A1 fuel options also available for Marine and Aviation sites.